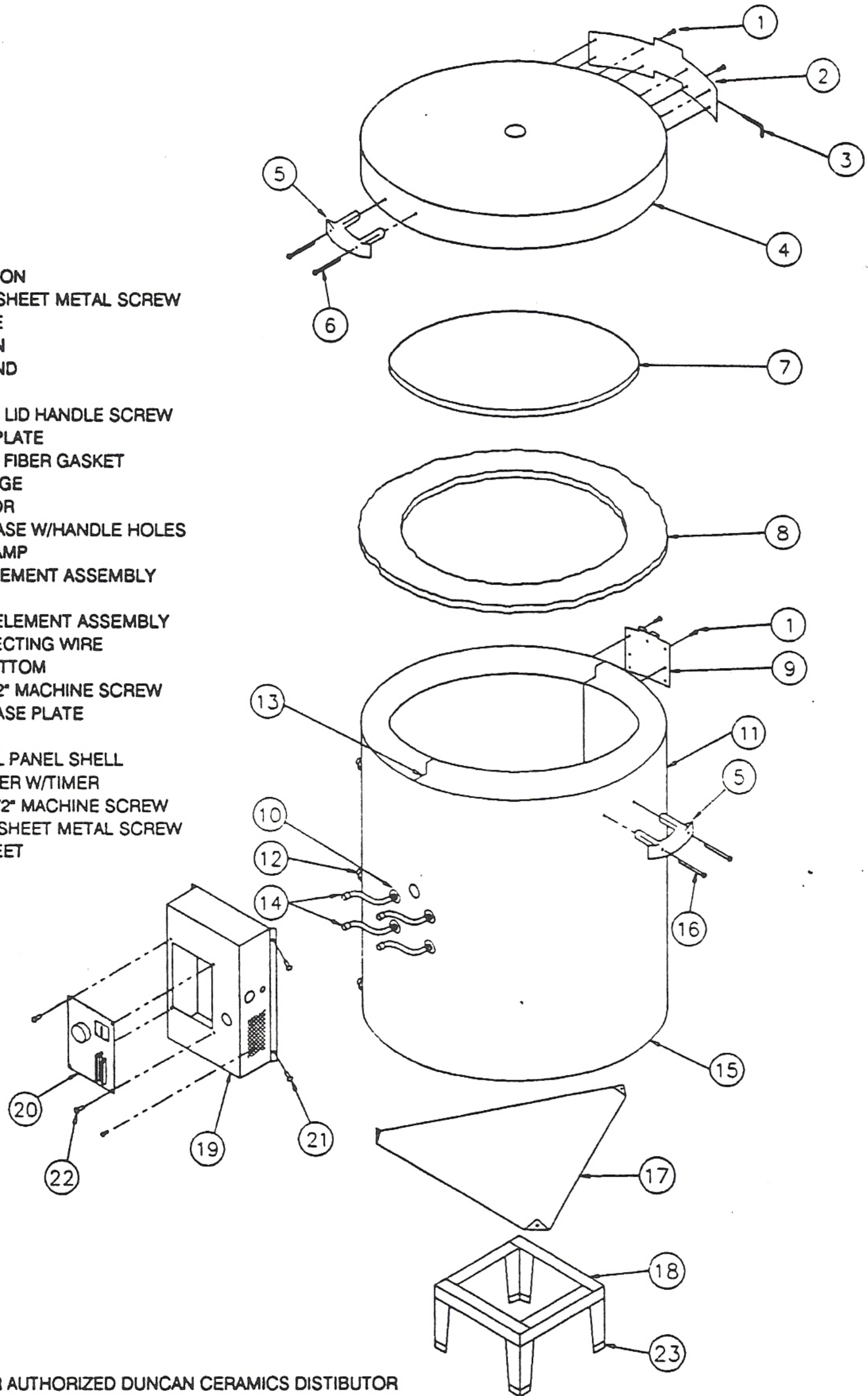


DUNCAN MODEL EA 122 & 122C

BODY PARTS

REF. NO.	PART NO.	DESCRIPTION
1.	KE 301	#8 x 1/2" SHEET METAL SCREW
2.	KC 216	LID HINGE
3.	KC 217	HINGE PIN
4.	KC 039	LID W/BAND
5.	KE 013	HANDLE
6.	KE 316	#8-32 x 2" LID HANDLE SCREW
7.	KA 121	HEARTH PLATE
8.	KP 313	1/4 THICK FIBER GASKET
9.	KC 219	CASE HINGE
10.	KE 060	INSULATOR
11.	KC 095	ARTIST CASE W/HANDLE HOLES
12.	KE 045	CASE CLAMP
13.	KE 265	EA 122 ELEMENT ASSEMBLY
	OR	
	KE 266	EA 122C ELEMENT ASSEMBLY
14.	KC 160	9" CONNECTING WIRE
15.	KC 008	FIBER BOTTOM
16.	KE 350	#10-32 x 2" MACHINE SCREW
17.	KP 316	ARTIST BASE PLATE
18.	KC 065	STAND
19.	KC 040	CONTROL PANEL SHELL
20.	KM 207	KILN-SITTER W/TIMER
21.	KE 318	#8-32 x 1/2" MACHINE SCREW
22.	KE 303	#6 x 1/2" SHEET METAL SCREW
23.	KE 030	STAND FEET



DUNCAN CERAMICS
P.O. BOX 7609
FRESNO, CA. 93747

ORDER PARTS FROM YOUR AUTHORIZED DUNCAN CERAMICS DISTRIBUTOR